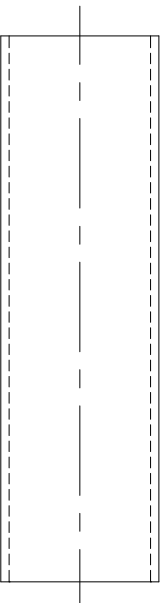
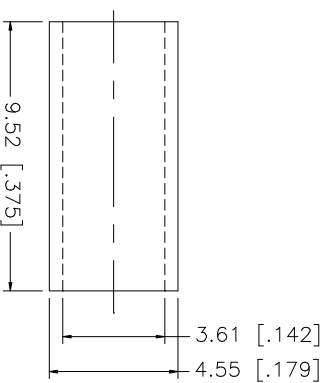
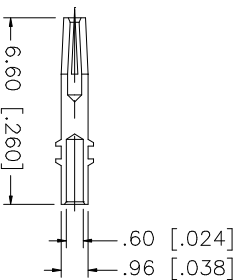
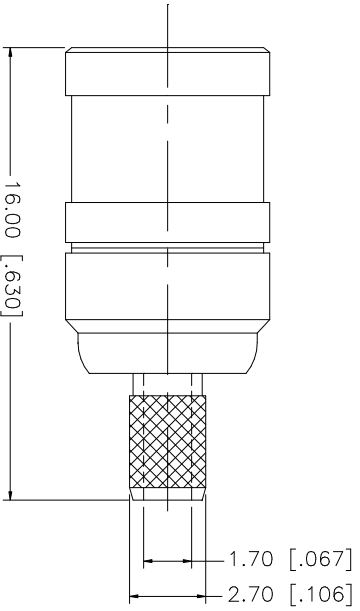
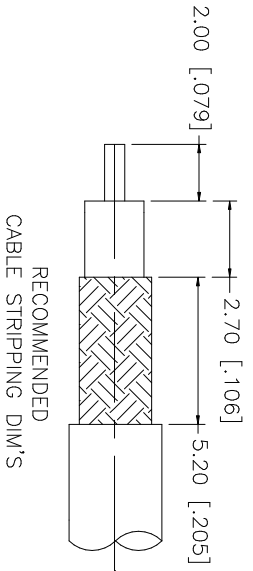


REV.	DATE	DESCRIPTION
A	01/30/04	UPDATE DRAWING FORMAT



- NOTE:
1. CRIMPED FERRULE
HEX CRIMP SIZE .151"
 2. CONTACT PIN TO SOLDER.

QTY	DESCRIPTION	MATERIAL	FINISH	QTY	DO NOT SCALE DRAWING	APPROVALS	DATE	PART DESCRIPTION	DWG. NO.	REV.	SIZE	SCALE
1	HEAT SHRINK TUBE		BLACK	1				Amphenol Connex SMB CRIMP PLUG (FOR RG-316U/D CABLE)	142187.DWG	A	A	NA
1	FERRULE	COPPER	GOLD	1								
1	CONTACT PIN	BER. COPPER	GOLD	1								
1	INSULATOR	TEFLON	NATURAL	1								
1	BODY	BRASS	GOLD	1								
UNLESS OTHERWISE SPECIFIED DIMENSIONS ARE IN MILLIMETERS. DIMENSIONS IN [] ARE IN INCHES AND FOR CUSTOMER REFERENCE ONLY. TOLERANCES FOR MILLIMETERS ARE: 0.5 - 8mm ± 0.20mm 8 - 30mm ± 0.40mm 30 - 120mm ± 0.50mm UNLESS OTHERWISE SPECIFIED TOLERANCES FOR INCHES ARE: .020 - .315 = ± 0.007" .315 - 1.180 = ± 0.015" 1.180 - 4.724 = ± 0.020"						CAD FILE C:/142/142187.DWG						